



SEDONA BY LYNX™ SERIES

# 42" SEDONA BUILT-IN GRILL

WITH 3 STAINLESS STEEL BURNERS (L700)



OPEN VIEW

## L700 PRODUCT OVERVIEW

- Variable power—three Stainless Steel Burners combining to provide up to 69,000 BTU
- Consistent assurance—direct spark ignition with battery backup
- Perfect clarity—dual halogen grill surface lights
- Quick visibility—temperature gauge
- Easy opening—Lynx Hood Assist
- Steadfast durability—heavy-duty welded construction eliminates gaps where grease can collect
- Generous capacity—1,049 square inches of cooking surface (728 primary, 321 secondary)
- Beautiful illumination—blue-lit control knobs
- Steady performance—heat-stabilizing design
- Smooth opening—fluid rotation handle
- Premier platform—stainless steel grilling grates



FOR A COMPLIMENTARY CUSTOM DESIGN FOR YOUR OUTDOOR KITCHEN, VISIT [LYNXGRILLS.COM/DESIGN-CENTER](http://LYNXGRILLS.COM/DESIGN-CENTER)

## L700 PRODUCT FEATURES

The Sedona by Lynx™ Series is always evolving to be the best at something new. That philosophy is reflected in its features. We've refined these features to give you a grilling experience that's both simple and stunning.



STAINLESS STEEL BURNERS



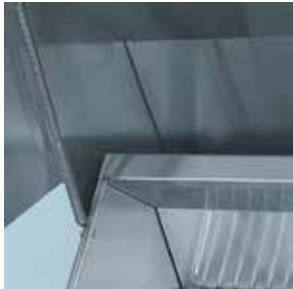
SPARK IGNITION SYSTEM



SEAMLESS WELDED CONSTRUCTION



INTEGRATED ILLUMINATION



LYNX HOOD ASSIST



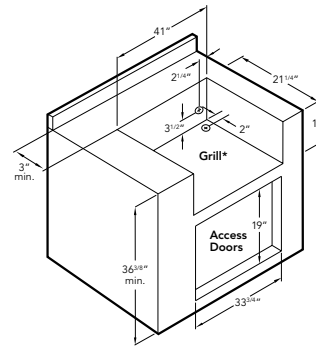
CERAMIC RADIANT BRIQUETTES



EXPANSIVE GRILLING SURFACE

FOR MORE INFORMATION ON SEDONA BY LYNX™ SERIES PRODUCT FEATURES, PLEASE VISIT [LYNXGRILLS.COM](http://LYNXGRILLS.COM)

### L700 ISLAND PREPARATION



\*2" round hole must be located at rear of grill cutout. 120V GFI outlet must be located within 6' of the 2" hole.

### PRODUCT SPECIFICATIONS & INSTALLATION



CUT-OUT DIMENSIONS: WIDTH: 41" / HEIGHT: 10" / DEPTH: 21.25"



SHIPPING DIMENSIONS: WIDTH 34" / HEIGHT 47" / DEPTH 30"  
SHIPPING WEIGHT: 240 POUNDS



GAS REQUIREMENTS: SHIPS IN LIQUID PROPANE OR NATURAL GAS FROM FACTORY

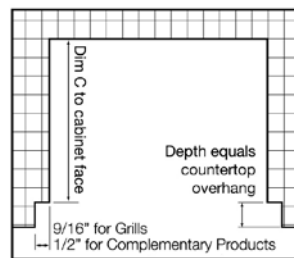


ELECTRICAL REQUIREMENTS: INSTALLATION REQUIRES AN OUTDOOR 120V/15GFI ELECTRICAL OUTLET ADJACENT TO PRODUCT

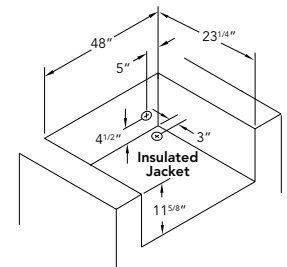


COOKING CONFIGURATION: BUILT-IN GRILL WITH ROTISSERIE, 1 PROSEAR INFRARED BURNER AND 2 STAINLESS STEEL BURNERS

### COUNTERTOP NOTCH DETAIL



### INSULATING JACKET



Note: Insulating jacket required for all grills installed into a combustible enclosure. For natural gas grills, Lynx recommends using 3/4" gas lines. Side burners may be rotated 90 degrees. See installation manuals for details.

### PRODUCT TECHNICAL SPECIFICATIONS