



SEDONA BY LYNX™ SERIES

# 42" SEDONA FREESTANDING GRILL

WITH 1 PROSEAR INFRARED BURNER AND 2 STAINLESS STEEL BURNERS (L700PSF)



## L700PSF PRODUCT OVERVIEW

- Precise power—one ProSear™ Infrared Burner and two Stainless Steel Burners combining to provide up to 69,000 BTU
- Consistent assurance—direct spark ignition with battery backup
- Perfect clarity—dual halogen grill surface lights
- Quick visibility—temperature gauge
- Easy opening—Lynx Hood Assist
- Steadfast durability—heavy-duty welded construction eliminates gaps where grease can collect
- Generous capacity—1,049 square inches of cooking surface (728 primary, 321 secondary)
- Beautiful illumination—blue-lit control knobs
- Steady performance—heat-stabilizing design
- Smooth opening—fluid rotation handle
- Premier platform—stainless steel grilling grates



FOR A COMPLIMENTARY CUSTOM DESIGN FOR YOUR OUTDOOR KITCHEN, VISIT [LYNXGRILLS.COM/DESIGN-CENTER](http://LYNXGRILLS.COM/DESIGN-CENTER)

## L700PSF PRODUCT FEATURES

The Sedona by Lynx™ Series is always evolving to be the best at something new. That philosophy is reflected in its features. We've refined these features to give you a grilling experience that's both simple and stunning.



PROSEAR™ INFRARED BURNER



ROTISSERIE SYSTEM



STAINLESS STEEL BURNERS



SPARK IGNITION SYSTEM



SEAMLESS WELDED CONSTRUCTION



INTEGRATED ILLUMINATION



LYNX HOOD ASSIST



CERAMIC RADIANT BRIQUETTES



EXPANSIVE GRILLING SURFACE

FOR MORE INFORMATION ON SEDONA BY LYNX™ SERIES PRODUCT FEATURES, PLEASE VISIT [LYNXGRILLS.COM](http://LYNXGRILLS.COM)

PRODUCT TECHNICAL SPECIFICATIONS



SHIPPING DIMENSIONS: WIDTH 51.5" / HEIGHT 54.5" / DEPTH 34"  
SHIPPING WEIGHT: 364 POUNDS



GAS REQUIREMENTS: SHIPS IN LIQUID PROPANE OR NATURAL GAS FROM FACTORY

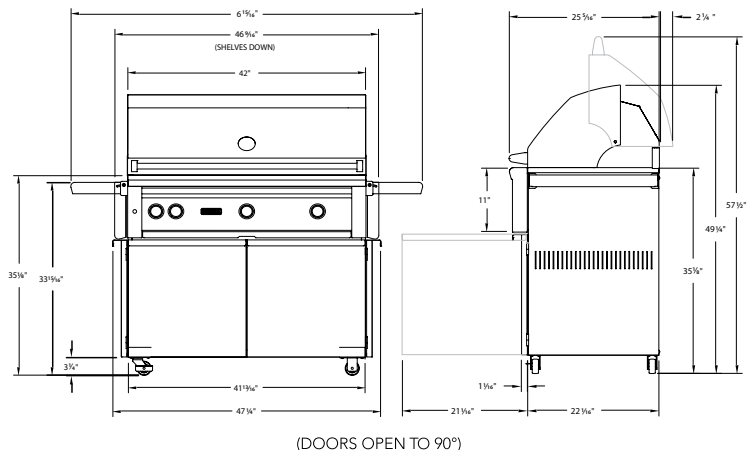


ELECTRICAL REQUIREMENTS: INSTALLATION REQUIRES AN OUTDOOR 120V/15GFI ELECTRICAL OUTLET ADJACENT TO PRODUCT



COOKING CONFIGURATION: FREESTANDING GRILL WITH 1 PROSEAR INFRARED BURNER AND 2 STAINLESS STEEL BURNERS

PRODUCT DIMENSIONS



(DOORS OPEN TO 90°)