

LYNX

OUTDOOR KITCHEN

COLLECTION

TRASH AND RECYCLE CABINETS

18" AND 24" WIDTHS

Clean design meets clean-up duty with cabinets that discreetly house dual bins for trash and recycling. Built tough and styled to match, they keep your space refined and ready for anything.



FEATURES

- Heavy-gauge 304 stainless steel
- Weather-seal cabinet gaskets
- Refined powdercoat finishes
- Soft-close technology
- Adjustable feet
- Seamless appliance integration

MODELS

- **LYNX-PO-18**
18" Full Door Trash Pullout Base - 1 Bin
- **LYNX-PO-24**
24" Full Door Trash Pullout Base - 2 Bins

EXCLUSIVE COLOR FINISHES



STAINLESS STEEL FINISH



FINISH STYLING OPTIONS

- ANVIL - Brushed Stainless Steel
- SWATCH - Brushed Stainless Steel Interiors and Powder Coated Exteriors
- PULSE - Powder Coated Interiors and Exteriors

FEET STYLING OPTIONS

- RISE - A floating installation approach with panels lifted 3" off the ground, creating an elevated, airy look. Designed to adapt to natural grade shifts, this style delivers a modern edge with functional flexibility across varied terrain.
- FITTED - A grounded installation method where panels drop flush to the surface and connect with a seamless toe kick. Ideal for flat, level environments, this technique offers a monolithic and tailored aesthetic.

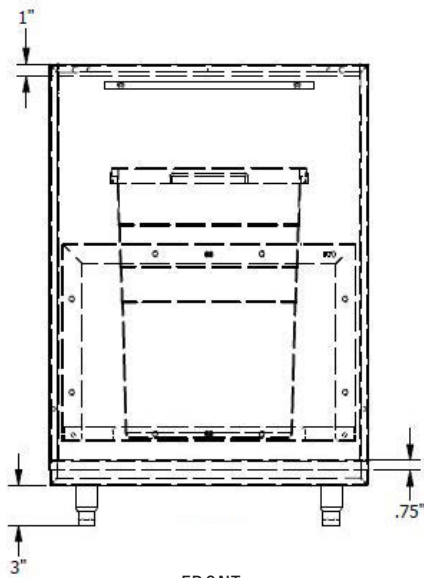
LYNX

OUTDOOR KITCHEN

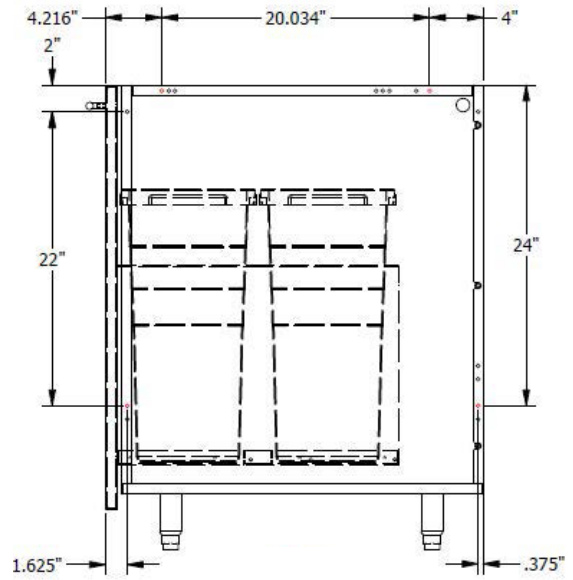
COLLECTION

TRASH AND RECYCLE CABINETS

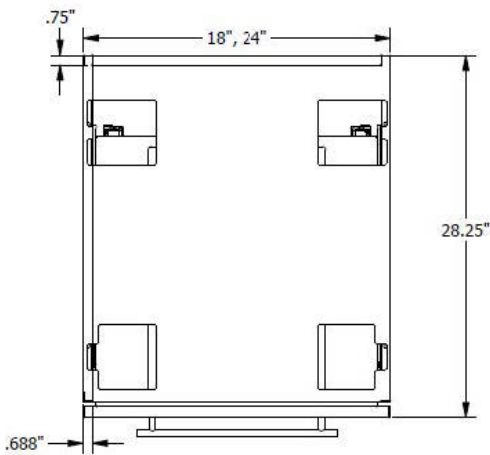
28" DEPTH



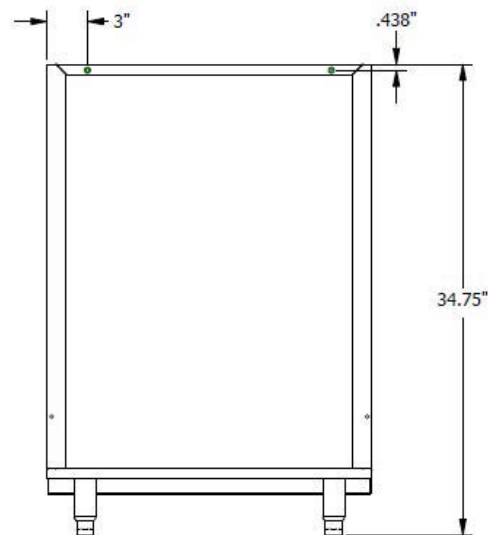
FRONT



SIDE



TOP



REAR

