

LYNX

OUTDOOR KITCHEN

COLLECTION

GRILL BASE CABINETS

36", 42", 48" AND 60" WIDTHS

Designed to house any Lynx Professional or Sedona grill, these cabinets are the cornerstone of your outdoor kitchen. Built from heavy-gauge 304 stainless steel, they offer a flawless fit with lasting strength and style.

COMPATIBLE WITH LYNX PROFESSIONAL AND LYNX SEDONA GRILLS



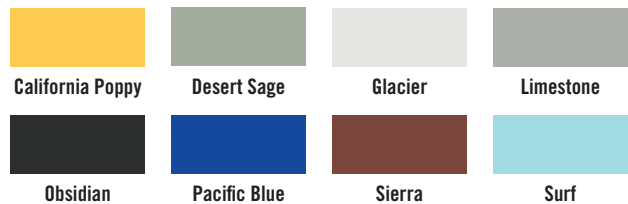
FEATURES

- Heavy-gauge 304 stainless steel
- Weather-seal cabinet gaskets
- Refined powdercoat finishes
- Soft-close technology
- Adjustable feet
- Seamless appliance integration

MODELS

- **LYNX-GB3FD-60**
60" Grill Base
- **LYNX-GB3FD-60-WD**
60" Grill Base with Warming Drawer
- **LYNX-GBFD-48**
48" Grill Base
- **LYNX-GBFD-48-WD**
48" Grill Base with Warming Drawer
- **LYNX-GBFD-42**
42" Grill Base
- **LYNX-GBFD-42-WD**
42" Grill Base with Warming Drawer
- **LYNX-GBFD-36**
36" Grill Base
- **LYNX-GBFD-36-WD**
36" Grill Base with Warming Drawer

EXCLUSIVE COLOR FINISHES



STAINLESS STEEL FINISH



FINISH STYLING OPTIONS

- ANVIL - Brushed Stainless Steel
- SWATCH - Brushed Stainless Steel Interiors and Powder Coated Exteriors
- PULSE - Powder Coated Interiors and Exteriors

FEET STYLING OPTIONS

- RISE - A floating installation approach with panels lifted 3" off the ground, creating an elevated, airy look. Designed to adapt to natural grade shifts, this style delivers a modern edge with functional flexibility across varied terrain.
- FITTED - A grounded installation method where panels drop flush to the surface and connect with a seamless toe kick. Ideal for flat, level environments, this technique offers a monolithic and tailored aesthetic.

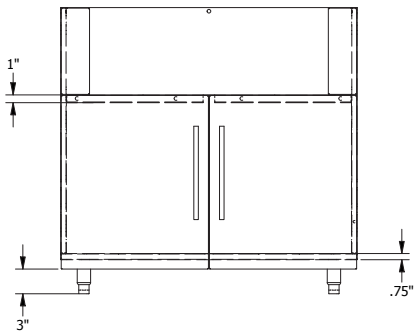
LYNX

OUTDOOR KITCHEN

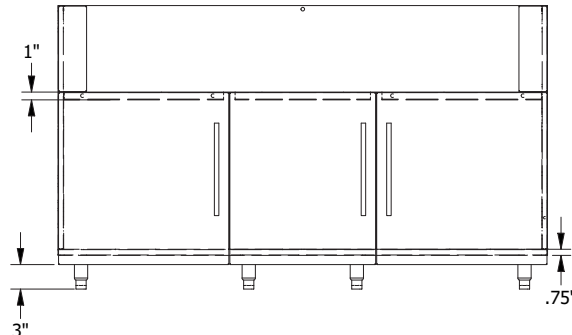
COLLECTION

GRILL BASE CABINETS

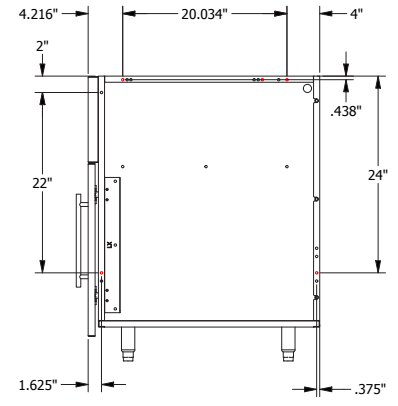
28" DEPTH



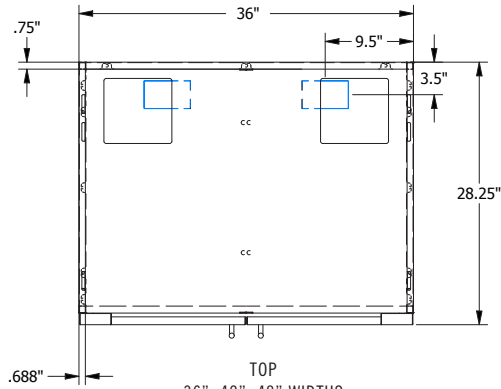
FRONT
36", 42", 48" WIDTHS



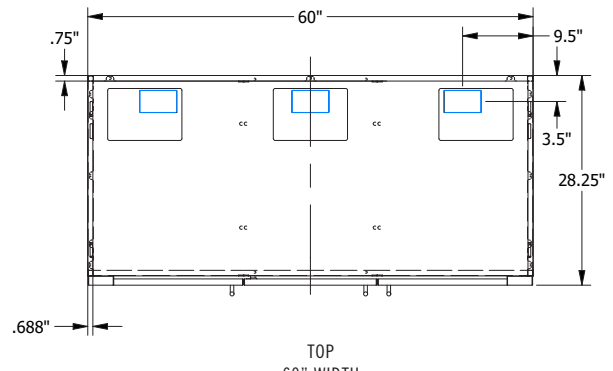
FRONT
60" WIDTH



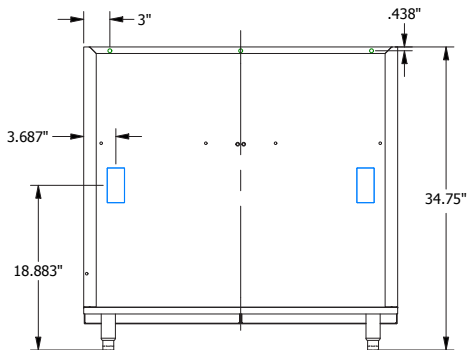
SIDE
36", 42", 48", 60" WIDTHS



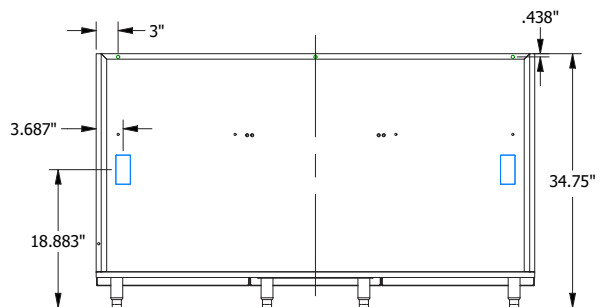
TOP
36", 42", 48" WIDTHS



TOP
60" WIDTH



REAR
36", 42", 48" WIDTHS



REAR
60" WIDTH