

# LYNX

## OUTDOOR KITCHEN

COLLECTION

## BURNER BASE CABINETS

18" AND 24" WIDTHS

Engineered to accommodate Lynx single, double, or power burners, these cabinets bring serious neat to your setup. Durable, weather-ready, and refined, they elevate performance with purpose.

*COMPATIBLE WITH LYNX SINGLE BURNER, DOUBLE BURNER, AND POWER BURNER*



### FEATURES

- Heavy-gauge 304 stainless steel
- Weather-seal cabinet gaskets
- Refined powdercoat finishes
- Soft-close technology
- Adjustable feet
- Seamless appliance integration

### MODELS

- **LYNX-BBFD-18L**  
18" Burner Base - LH
- **LYNX-BBFD-18R**  
18" Burner Base - RH
- **LYNX-BBFD-24**  
24" Burner Base with Lowered Power Burner
- **LYNX-BBFD-24L**  
24" Burner Base - LH
- **LYNX-BBFD-24R**  
24" Burner Base - RH

### EXCLUSIVE COLOR FINISHES



### STAINLESS STEEL FINISH



### FINISH STYLING OPTIONS

- ANVIL - Brushed Stainless Steel
- SWATCH - Brushed Stainless Steel Interiors and Powder Coated Exteriors
- PULSE - Powder Coated Interiors and Exteriors

### FEET STYLING OPTIONS

- RISE - A floating installation approach with panels lifted 3" off the ground, creating an elevated, airy look. Designed to adapt to natural grade shifts, this style delivers a modern edge with functional flexibility across varied terrain.
- FITTED - A grounded installation method where panels drop flush to the surface and connect with a seamless toe kick. Ideal for flat, level environments, this technique offers a monolithic and tailored aesthetic.

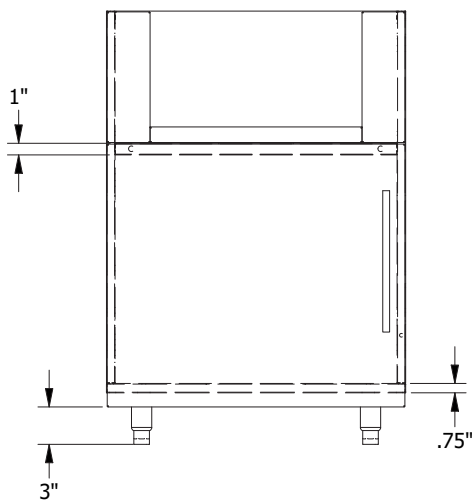
# LYNX

## OUTDOOR KITCHEN

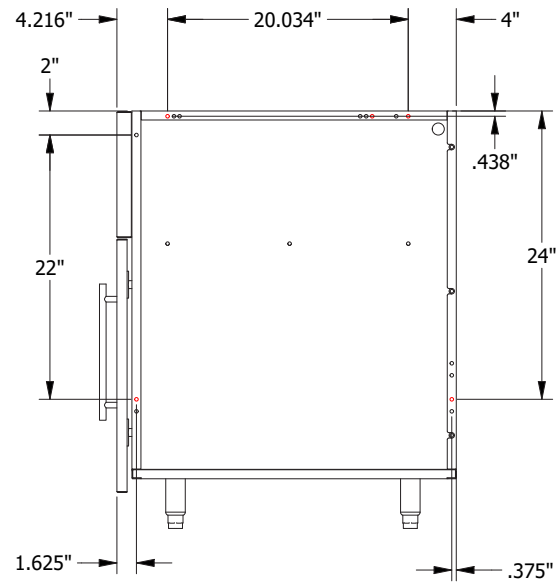
COLLECTION

### BURNER BASE CABINETS

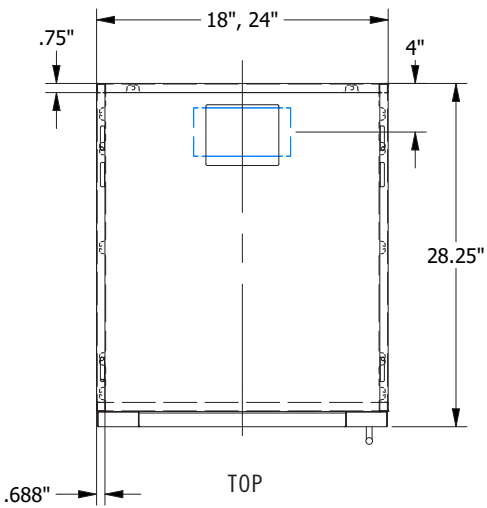
28" DEPTH



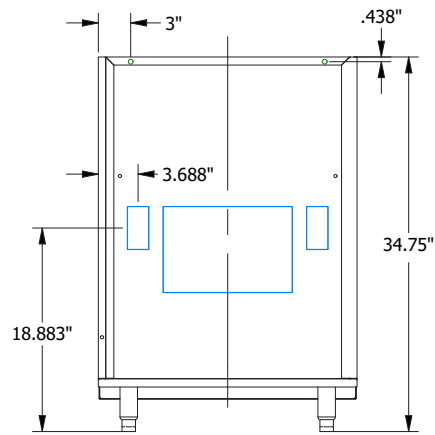
FRONT



SIDE



TOP



REAR

