

# LYNX

## OUTDOOR KITCHEN

COLLECTION

## ASADO GRILL BASE

36" WIDTH

Add versatility and power to your outdoor kitchen with the Lynx Asado Grill Base—designed for flat top cooking and built from rugged, heavy-gauge stainless steel for serious performance.

*COMPATIBLE WITH LYNX ASADO*



### FEATURES

- Heavy-gauge 304 stainless steel
- Weather-seal cabinet gaskets
- Refined powdercoat finishes
- Soft-close technology
- Adjustable feet
- Seamless appliance integration

### MODELS

- **LYNX-GBFD-36**  
36" Lynx Grill Base

### EXCLUSIVE COLOR FINISHES



### STAINLESS STEEL FINISH



### FINISH STYLING OPTIONS

- ANVIL - Brushed Stainless Steel
- SWATCH - Brushed Stainless Steel Interiors and Powder Coated Exteriors
- PULSE - Powder Coated Interiors and Exteriors

### FEET STYLING OPTIONS

- RISE - A floating installation approach with panels lifted 3" off the ground, creating an elevated, airy look. Designed to adapt to natural grade shifts, this style delivers a modern edge with functional flexibility across varied terrain.
- FITTED - A grounded installation method where panels drop flush to the surface and connect with a seamless toe kick. Ideal for flat, level environments, this technique offers a monolithic and tailored aesthetic.

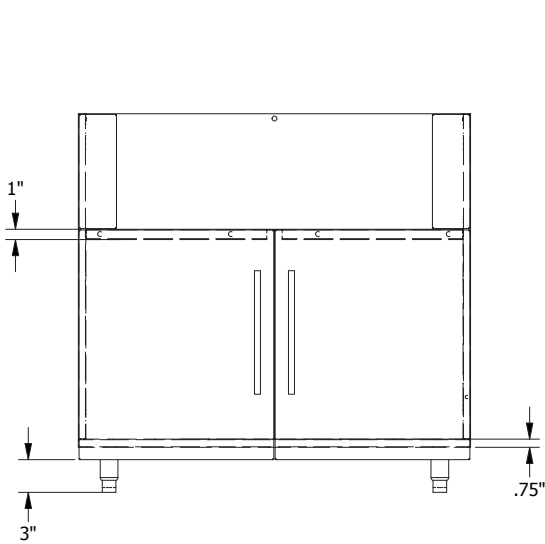
# LYNX

## OUTDOOR KITCHEN

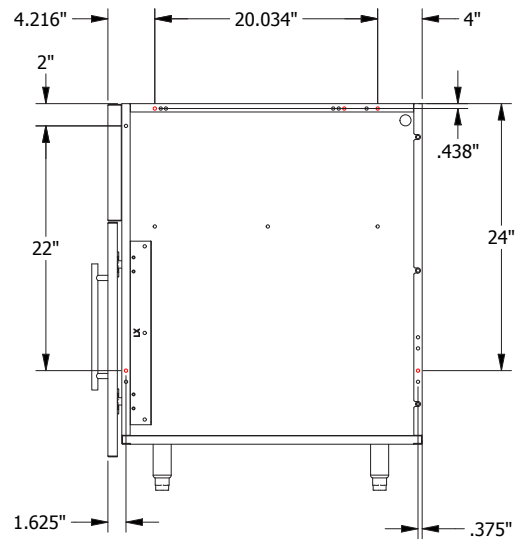
COLLECTION

### ASADO GRILL BASE CABINET

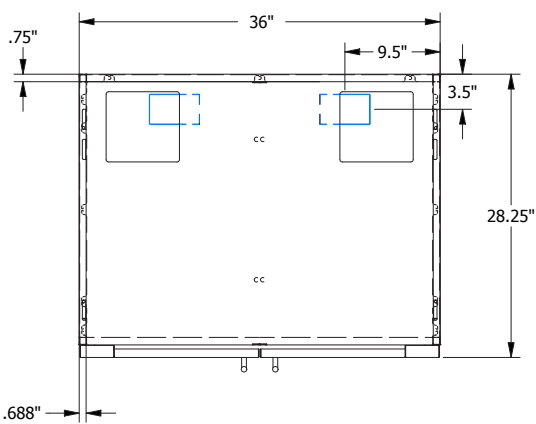
28" DEPTH



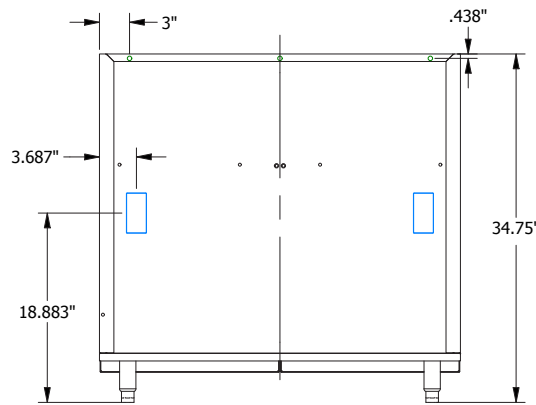
FRONT



SIDE



TOP



REAR

