

Installation Instruction

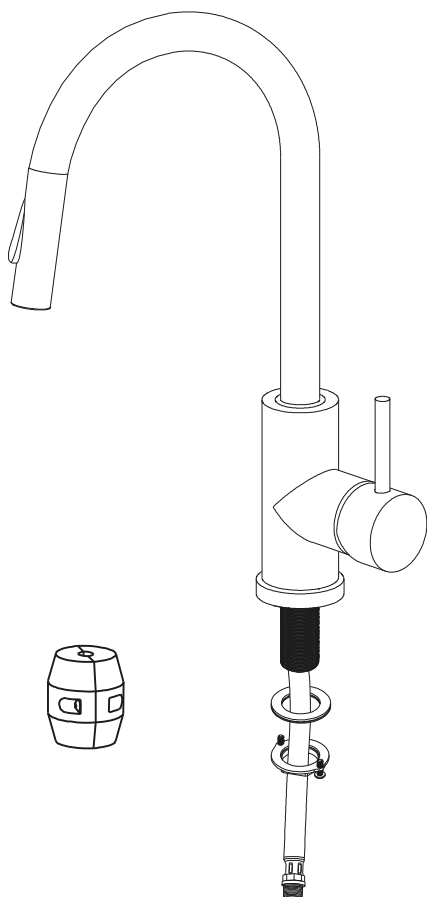
Single Handle Pull-down Kitchen Faucet

LPFK

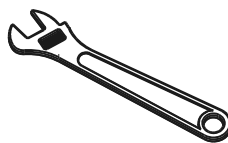


Before Your Installation

Check to make sure you have the following parts indicated below:



Tools You Will Need



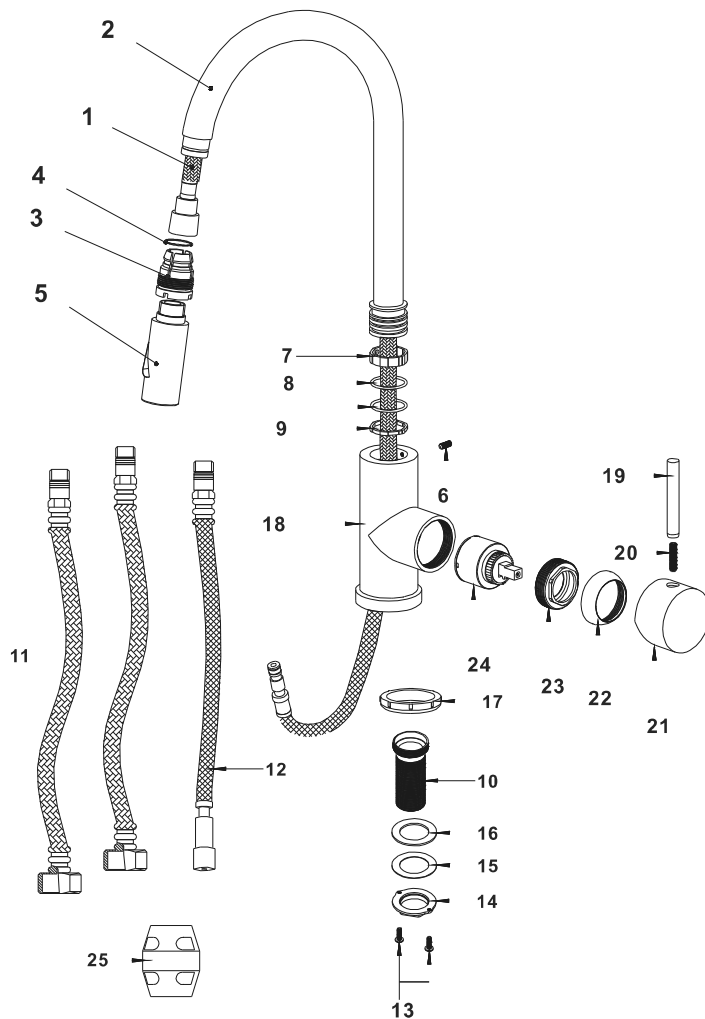
Adjustable wrench



Phillips screwdriver

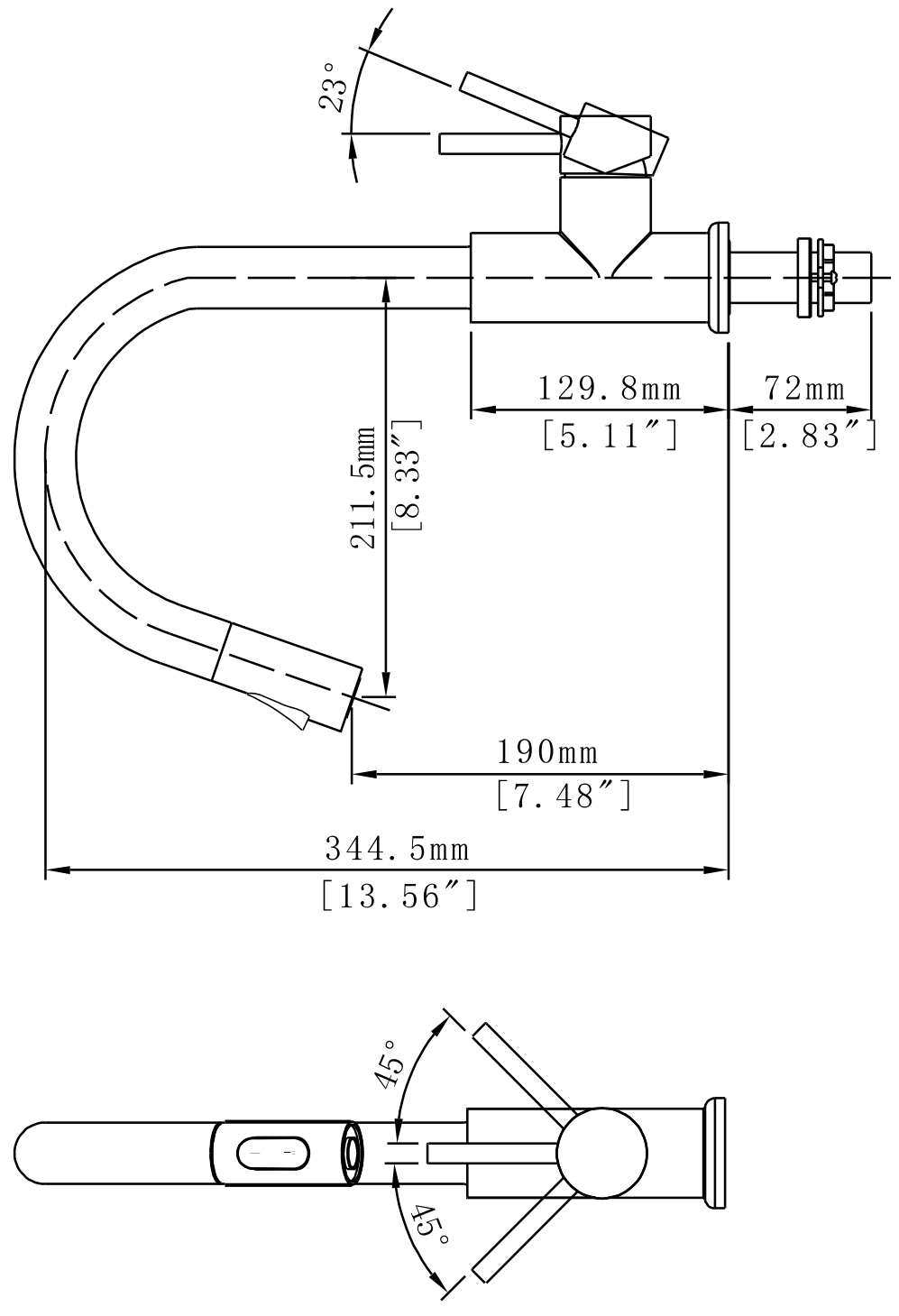
Replacement Parts

Keep this manual for ordering replacement parts.



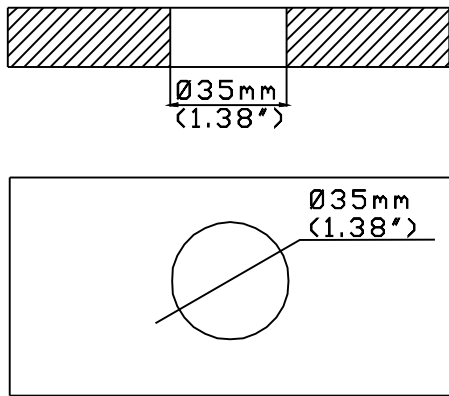
- 1 Hose
- 2 Spout
- 3 Plastic cover
- 4 O-ring
- 5 Sprayer
- 6 Set screw
- 7 Sleeve
- 8 O-rings
- 9 Sleeve
- 10 Extension pipe
- 11 Hot & cold water lines
- 12 Quick-connection hose
- 13 Screws
- 14 Locking nut
- 15 Metal washer
- 16 Rubber washer
- 17 Rubber washer
- 18 Faucet body
- 19 Handle lever
- 20 Set screw
- 21 Handle body
- 22 Cartridge cover
- 23 Locking nut
- 24 Cartridge
- 25 Weight

Product Dimension Drawing

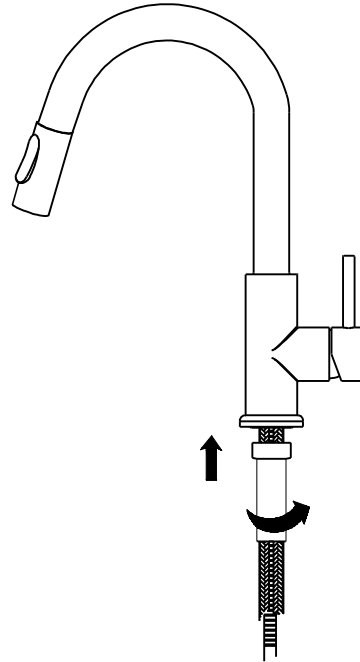


Faucet Installation Procedures

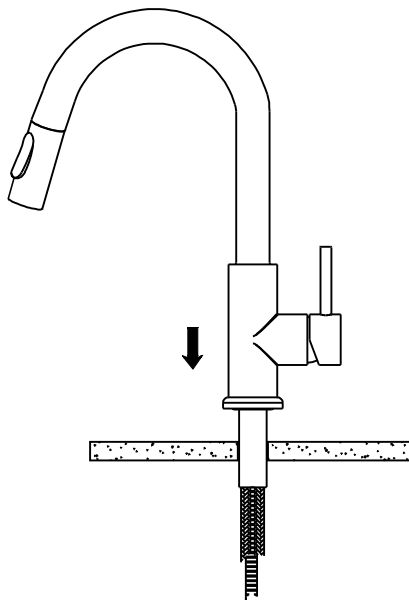
Step ①



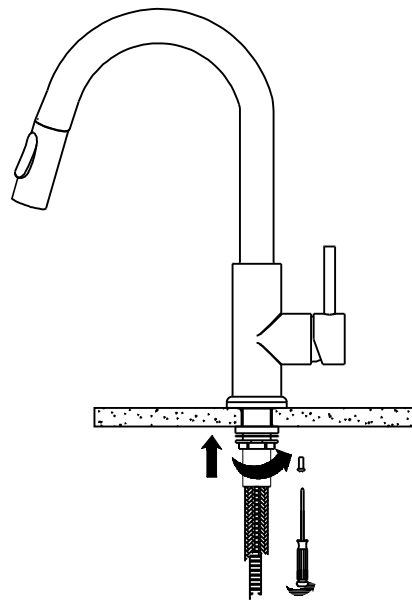
Step ②



Step ③



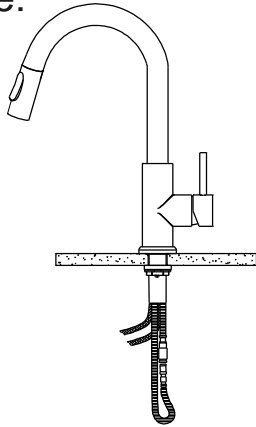
Step ④



Step ⑤

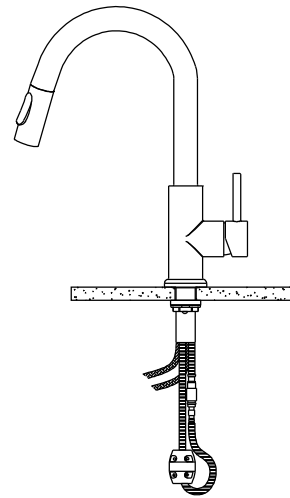
Connect spray hose to quick-connection hose until you hear “click”.

The tip of the quick connection should spring back to original position. Test by pulling both ends to make sure they do not separate.



Step ⑥

Install the weight (part #25) just above the lowest point of the hose (part #1) on the side that connects to the spray head. Tighten screws on the weight with a Phillips screwdriver.



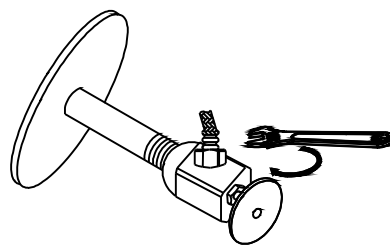
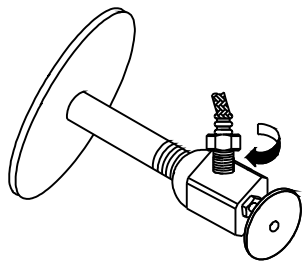
Step ⑦

IMPORTANT!

Run water out of Hot and Cold angle valves to flush debris **BEFORE** connecting the water supply lines.

Place a bucket under the valve. When valve is turned on water will shoot up. Cup over the valve opening so water will fall into the bucket.

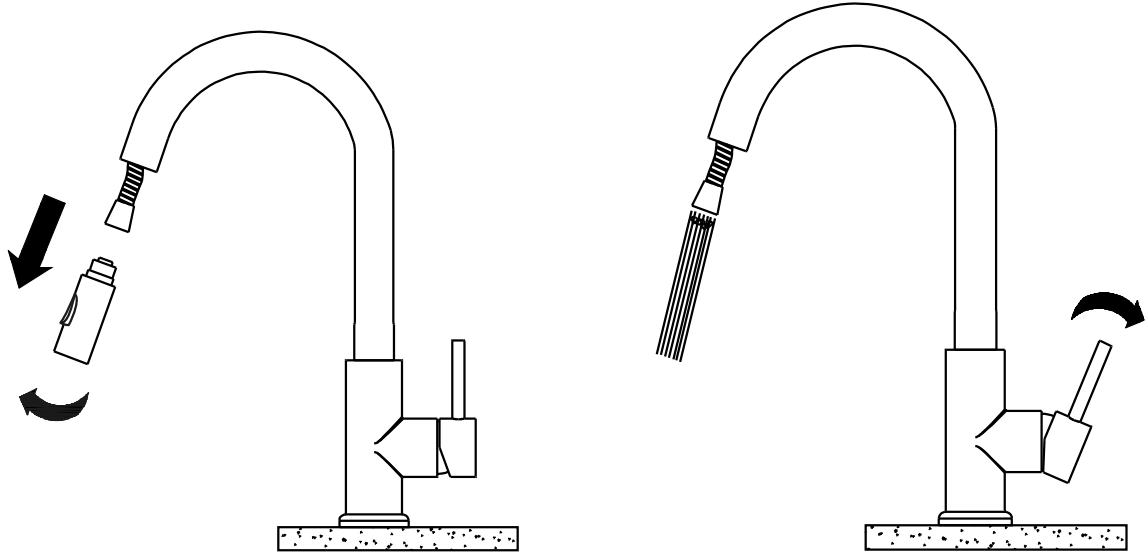
Connect Hot & Cold water lines to angle valves. Tighten securely, but do not overtighten.



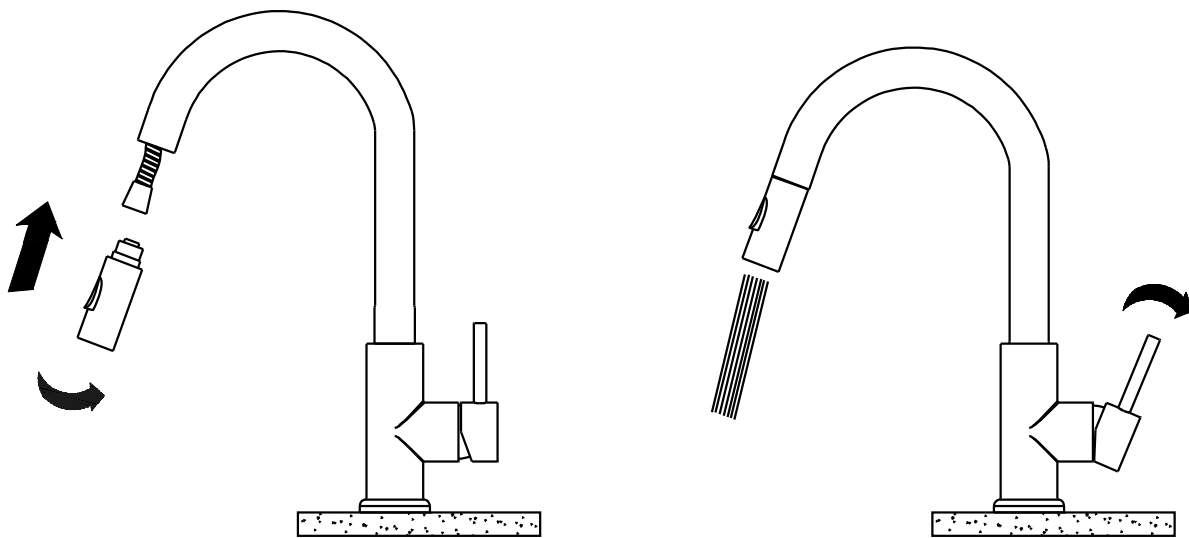
Step ⑧

IMPORTANT!

Remove the spray head and perform a final flush by turning on the faucet.



Step ⑨



Critical Maintenance: Protect Your LPFK During Winter

Why Winterizing Is Essential

As outdoor temperatures fall below freezing, any water left inside your LPFK faucet can solidify and expand. This expansion can cause cracked pipes, damaged cartridges, and compromised faucet components, resulting in costly repairs and potential water damage. Proper winterization is a preventive measure that safeguards your faucet and your entire plumbing system.

Step-by-Step Guide to Winterizing

1. Shut Off the Water Supply

- Locate the shut-off valve that controls water flow to your outdoor faucet. This is typically found inside your home or beneath the sink.
- Turn off the valve to prevent water from entering the faucet during freezing conditions.

2. Disconnect and Drain the Faucet

- Open the faucet to release any residual water.
- If a hose or sprayer is attached, disconnect it and ensure it is fully drained.

3. Remove Remaining Water (Optional but Strongly Recommended)

- Use compressed air to clear out any remaining water from the faucet and supply line.
- This step is particularly beneficial for faucets with extended or complex plumbing runs, where water may be trapped.

4. Inspect for Leaks or Structural Damage

- Carefully examine the faucet and surrounding plumbing for cracks, leaks, or signs of wear.
- Addressing issues early helps prevent failures during the winter months.

5. Insulate the Faucet

- Apply a foam faucet cover or wrap the faucet with weatherproof insulating material.
- Ensure the insulation is securely fastened and moisture-resistant to provide maximum protection against freezing temperatures.

Pro Tip:

Schedule your winterization in late fall, before nighttime temperatures consistently drop below 32°F (0°C). Early action ensures your faucet is protected before the first freeze.