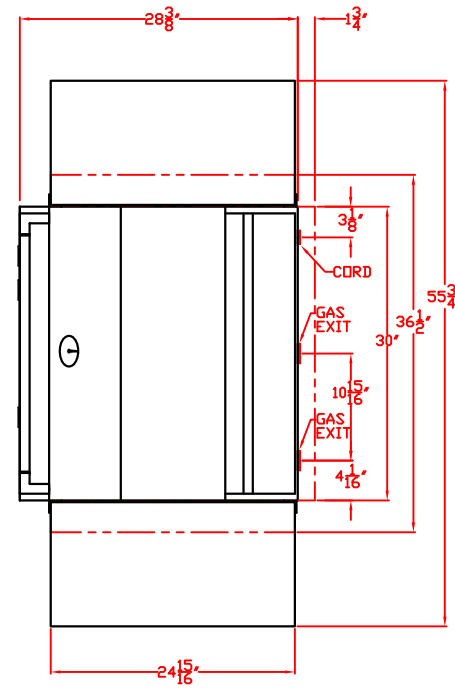
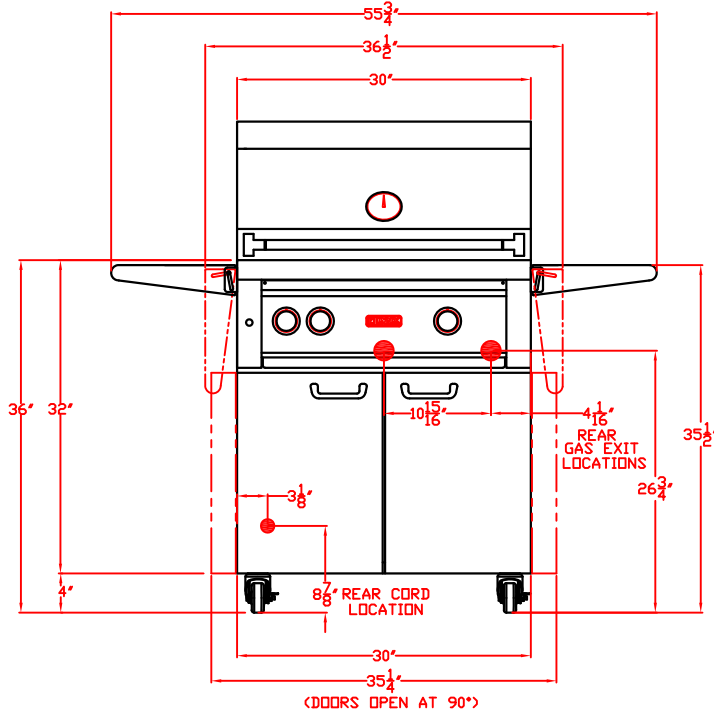


LYNX FREESTANDING 30" W/ DIMENSIONS

TOP VIEW

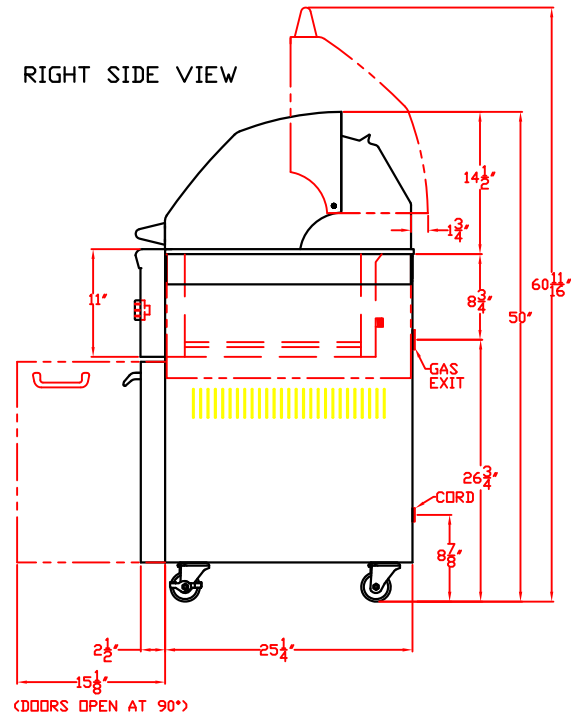


FRONT VIEW



(DOORS OPEN AT 90°)

RIGHT SIDE VIEW



(DOORS OPEN AT 90°)